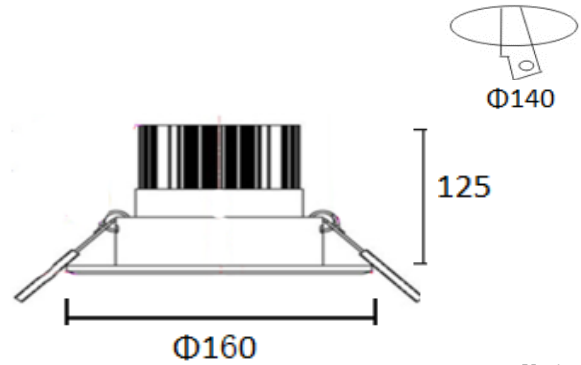


# GR-DL-30WC Recessed Spotlight



## Dimension



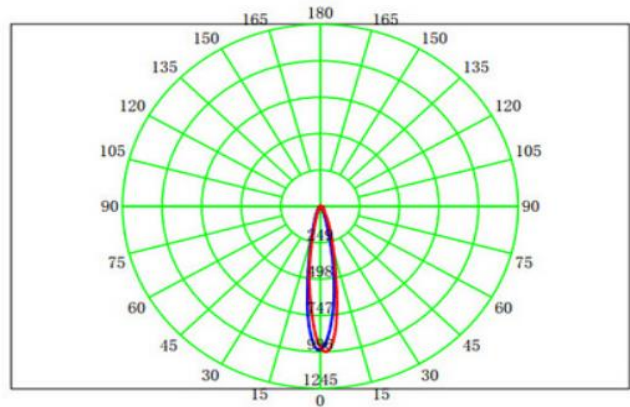
Unit:mm

## Description&Feature

LED Downlight is made of aluminum and glass cover, it is ok to be rotation 30°, different reflector colors option (white/black/silver/gun black/gold) and consists of CREE/CITIZEN/Bridgelux chips, delivers a superior LED alternative that's up to 60% more energy efficient than the conventional downlight retrofits.

The other extra function such as dimming/ emergency backup/Zigbee smart control also can be available. Clear cover/frosted cover options.

## Light Distribution Curve



## Specification

Order Model	GR-DL-30WC
Dimension(mm)	ø160*125mm
Outcut	Φ140-145mm
Power	30W±5%
LED Chips brand	CREE/CITIZEN/Bridgelux COB chips
Lumens	2600-3000lm
Color temperature	3000K/4000K-4500K/6000K-6500K
Driver	Philips/Osram/DONE/Eagerise/Boke/LiFud etc Top brand
Input voltage	100-240VAC / 220-240VAC 50/60Hz
Power factor	>0.5 or >0.9
CRI	>90
SDCM	<5 ( <3 available)
Working life	>50000Hrs
Efficiency	>88%
Materials	Die-cast aluminum, White/Black/Silver(aluminum) options
Beam angle	24°as standard (15°/38°available if needed)
IP Grade	IP22 indoor use only
Emergency kits	No. but it is ok to do emergency backup for 30% power with 1hrs 2hrs 3hrs duration
Dimmable	No. but it is ok to do Triac/0-10V/DALI/Zigbee smart control if needed
Working temperature	-25°C~+55°C
Storage temperature	-30°C~+60°C
Standard	CE LVD EMC RoHs
Warranty	2/3/5Years