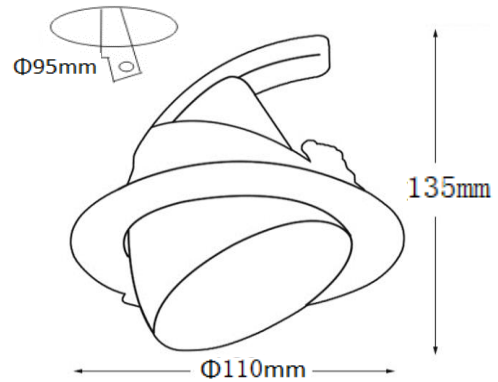


GR-DL-12WG Gimbal Downlight



Dimension

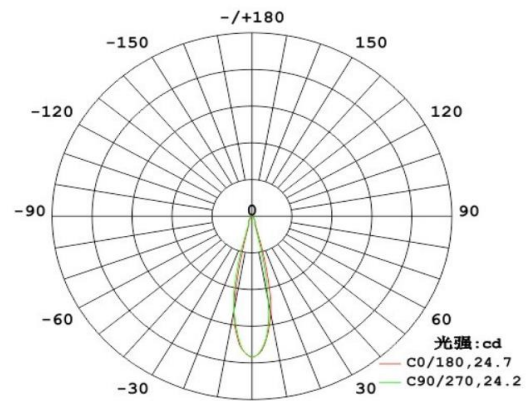


Description & Feature

LED Downlight is gimbal design, It can rotate 350° horizontally and stretch 75° vertically. Heat sink is aluminum, Light source is CRI92 COB led chips, high brightness, It is also ideal for all commercial lighting applications as well as public indoor space where there is limited space in the ceiling.

Its lifetime can be up to 10years.
It is the perfect solution for commercial lighting.
The other extra function such as dimming/ emergency backup/ Zigbee Smart control also can be available.

Light Distribution Curve



Specification

Order Model	GR-DL-12WG
Dimension(mm)	Ø110*H135mm
Outcut	Φ95mm
Power	12W±5%
LED Chips brand	CREE/CITIZEN/Bridgelux COB
Lumens	1050-1200lm
Color temperature	3000K/4000K-4500K/6000K-6500K
Driver	Philips/Osram/DONE/Eagerise/Boke/LiFud etc Top brand
Input voltage	100-240VAC / 220-240VAC 50/60Hz
Power factor	>0.6 or >0.9 if needed
CRI	>92
SDCM	<5 (<3 available)
Working life	>50000Hrs
Efficiency	>88%
Materials	Die-cast aluminum+lens/reflectors, White/Black finished options
Beam angle	24°as standard(15° available if needed)
IP Grade	IP22 indoor use only
Emergency kits	No. but it is ok to do emergency backup for 30% power with 1hrs 2hrs 3hrs duration
Dimmable	No. but it is ok to do Triac/0-10V/DALI/Zigbee if needed
Working temperature	-25°C~+50°C
Storage temperature	-30°C~+55°C
Standard	CE LVD EMC RoHs
Warranty	2/3/5Years