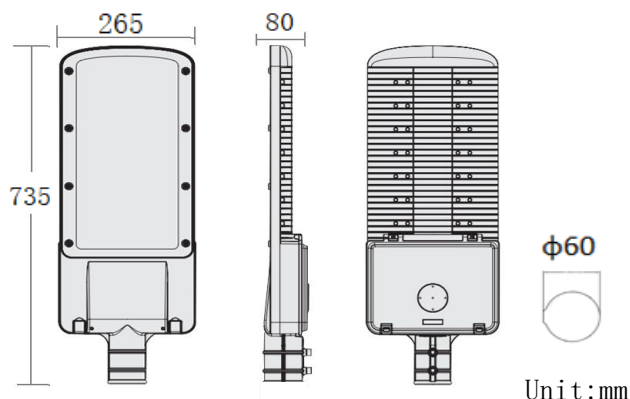




Dimension



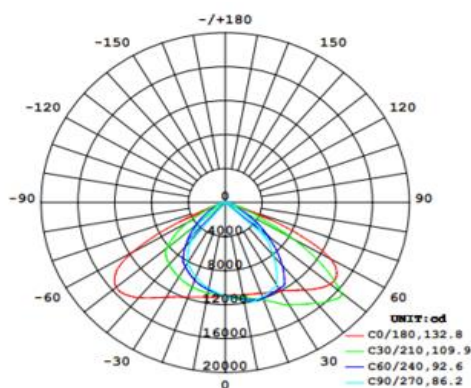
Unit:mm

Description&Feature

LED Street light,delivers a superior LED alternative that's up to 60% more energy efficient than the conventional HPS,Metal halide road light retrofits. Top materials such as aluminum housing,isolated driver with 4/6kv surge protection which will keep its stable quality.It is tool-free design with clips, no need screws to fix cover of driver box, it is also ok to be with cut-off switch.

Its lifetime can be up to 5years. The other extra function such as dimming/ photocell also can be available.

Light Distribution Curve



Specification

Model	GR-SL-250WP
Dimension(mm)	735*265*80mm
Pole diameter	φ60mm
Power	250W±5%
LED Chips brand	Philips/Osram/Bridgelux SMD3030
Lumens	27000-32000lm
Color temperature	3000K/4000K-4500K/6000K-6500K
Driver	Isolated driver included(Meanwell/DONE/Philips options)
Input voltage	100-240VAC / 220-240VAC 50/60Hz
Power factor	>0.9
CRI	>80
SDCM	<5
Working life	>50000Hrs
Efficiency	>89%
Materials	Die-cast aluminum+glass cover
Beam angle	70*140°
THD	<15%
Surge protection	6KV(10KV 20KV Optional)
Dimmable	No. but it is ok to do Triac/0-10V/DALI Dimming if needed
Working temperature	-30°C~+55°C
Package	865*325*140mm/pcs/CTN
IP Grade	IP65 waterproof
Warranty	3/5Years options
Standard	CE LVD EMC RoHs