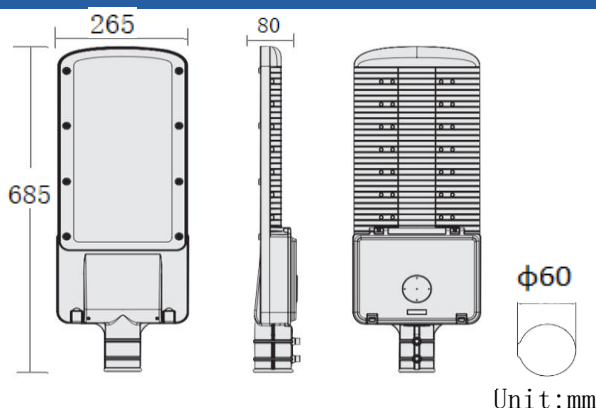


GR-SL-200WP LED Street Lights



Dimension



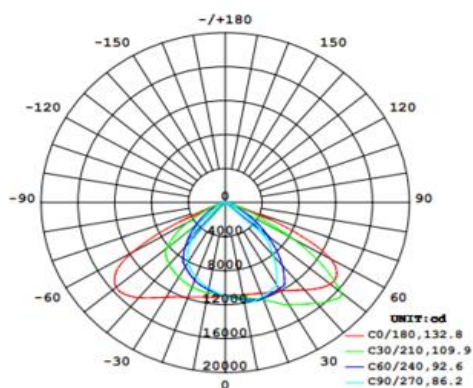
Unit:mm

Description&Feature

This Street light with latest tool-free design with clips,without any screws for back cover,and switch-off devices available, delivers a superior LED alternative that's up to 60% more energy efficient than the conventional HPS,Metal halide road light retrofits.Top materials such as aluminum housing,isolated driver with 4/6kv surge protection which will keep its stable quality.

Its lifetime can be up to 10years. The other extra function such as dimming/ photocell also can be available.

Light Distribution Curve



Specification

Model	GR-SL-200WP
Dimension(mm)	685*265*80mm
Pole diameter	φ60mm
Power	200W±5%
LED Chips brand	Philips/Osram/Bridgelux SMD3030
Lumens	22000-26000lm
Color temperature	3000K/4000K-4500K/6000K-6500K
Driver	Isolated driver included(Meanwell/DONE/Philips options)
Input voltage	100-240VAC / 220-240VAC 50/60Hz
Power factor	>0.95
CRI	>80
SDCM	<5
Working life	>50000Hrs
Efficiency	>90%
Materials	Die-cast aluminum+glass cover
Beam angle	70°*140°
THD	<15%
Surge protection	4KV/6KV(10KV 20KV Optional)
Dimmable	No. but it is ok to do Triac/0-10V/DALI Dimming if needed
Working temperature	-30°C~+55°C
Package	765*325*140mm/pcs/CTN
IP Grade	IP66 waterproof
Warranty	3/5Years options
Standard	CE LVD EMC RoHs