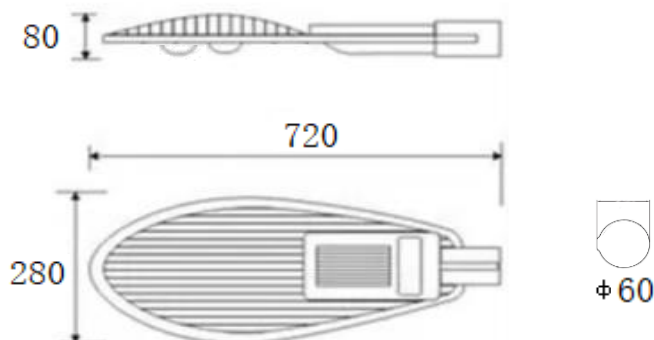


GR-SL-100WC COB LED Street Lights



Dimension



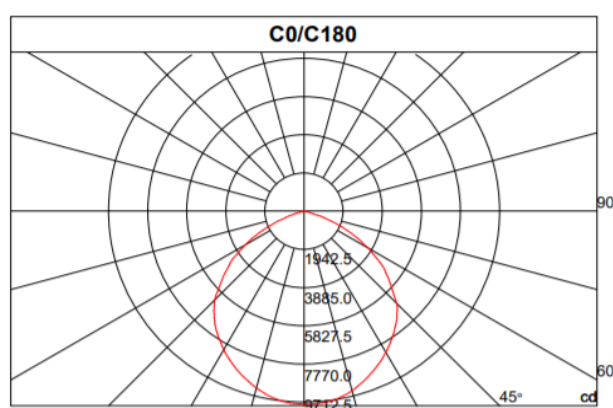
Unit:mm

Description&Feature

LED Street light,delivers a superior COB LED alternative that's up to 60% more energy efficient than the conventional HPS,Metal halide road light retrofits. Top materials such as aluminum housing,isolated driver with 4/6kv surge protection which will keep its stable quality.

Its lifetime can be up to 5years. The other extra function such as dimming/ photocell also can be available.

Light Distribution Curve



Specification

Model	GR-SL-100WC
Dimension(mm)	720*280*80mm (Install hole:60mm)
Surge protection	4/6KV(10KV 20KV available)
Power	100W±5%
LED Chips brand	Bridgelux COB Or philips SMD3030
Lumens	10000-13000lm
Color temperature	3000K/4000K-4500K/6000K-6500K
Driver	Isolated driver included(Meanwell/DONE/Philips options)
Input voltage	100-240VAC / 220-240VAC 50/60Hz
Power factor	>0.95
CRI	>80
SDCM	<5
Working life	>50000Hrs
Efficiency	>89%
Materials	Die-cast aluminum+Glass Lens, Black/Grey finished options
Beam angle	120°
THD	<15%
IP Grade	IP65 waterproof
Options	Photocell/Time control/ Triac/0-10V/DALI Dimming if needed
Working temperature	-30°C~+55°C
Package	745*295*115mm/CTN/PCS
Standard	CE LVD EMC RoHs
Warranty	2/3/5Years options