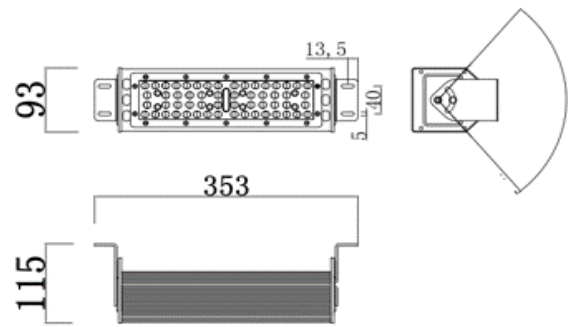


GR-HB-50WL Linear High Bay Lights



Dimension



Unit:mm

Description&Feature

LED high bay light,delivers a superior LED alternative that's up to 60% more energy efficient than the conventional HPS,Metal halide bay light retrofits.Surface/Suspension installation options. It is also ideal for all industrial lighting applications as well as public indoor spaces,such as warehouses, bus stations, Mine,Factories.,etc. Its lifetime can be up to 10years. The other extra function such as dimming/ emergency backup also can be available. Different beam angle options.

Application



Spacification

Model	GR-HB-50WL
Dimension(mm)	L353*W93mmmm
Outcut	/
Power	50W±5%
LED Chips brand	Philips/Osram/Bridgelux SMD3030 56PCS
Lumens	5500-6000lm
Color temperature	3000K/4000K-4500K/6000K-6500K
Driver	Isolated driver/Meanwell/Philips/DONE Brand driver
Input voltage	100-240VAC / 220-240VAC 50/60Hz
Power factor	>0.93
CRI	>80
SDCM	<5
Working life	>50000Hrs
Efficiency	>89%
Materials	Die-cast aluminum+PC
Beam angle	30/60/90/60*120° options
THD	<15%
IP Grade	IP65 waterproof
Dimmable	No. but it is ok to do Triac/0-10V/DALI Dimming if needed
Working temperature	-30°C~+55°C
Package	365*110*165MM/PCS/CTNS
Standard	CE LVD EMC RoHs
Warranty	3/5Years options